

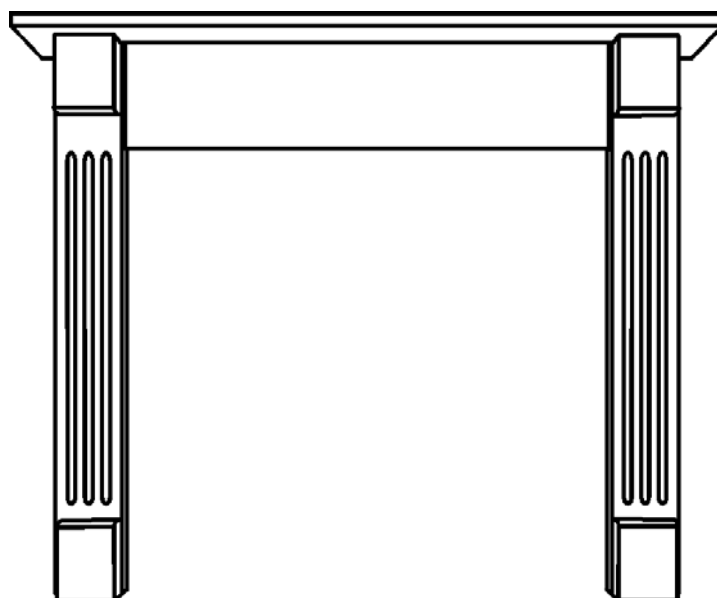
VALOR FIRES

INSTALLATION GUIDE

Durham

Surround (Flat Pack)

The rebate at the rear of the surround is 75mm



This guide should be read in conjunction with the installer and owner guide supplied with the heater.

This guide is intended to help you install your surround. Please read carefully before installing. However, if further information is required, our **Valor Fires Technical Helpline** will be pleased to help.

Telephone **0844 8711 565** (National call rates apply in the United Kingdom)
In the Republic of Ireland call **0044 844 8711 565**.

BAXI ● VALOR ● WONDERFIRE

Important: Please keep your guide in a safe place for future reference.

INSTALLATION GUIDE

© Baxi Heating U.K. Limited 2010.

All rights reserved. No part of this publication may be reproduced in any material form (including photocopying), stored in any medium by electronic means (including in any retrieval system or database) or transmitted, in any form or by any means, whether electronic, mechanical, recording or otherwise, without the prior written permission of the copyright owner.

Applications for the copyright owner's permission to reproduce any part of this publication should be made, giving details of the proposed use, to the following address: The Company Secretary, Baxi Heating UK Limited, The Wyvern Business Park, Stanier Way, Derby, DE21 6BF.

Warning: Any person who does any unauthorised act in relation to a copyright work may be liable to criminal prosecution and civil claims for damages.

VALOR FIRES

Valor Fires, Erdington, Birmingham B24 9QP
www.firesandstoves.co.uk

Because our policy is one of constant development and improvement, details may vary slightly from those given in this publication

INSTALLATION GUIDE

SAFETY

- When drilling into brick work always wear safety goggles, a dust mask, and always work in a well ventilated area.
- Keep children clear of work area.
- Always read the installer and owner guide supplied with the heater. This guide should be read in conjunction with those supplied with the heater.
- Always tidy loose electrical leads in the work area.
- Always switch off electric power when not needed.
- The surround must always be fixed into position.

HANDLING AND UNPACKING

Before continuing any further with the installation of this surround please read the following:

Important instructions.

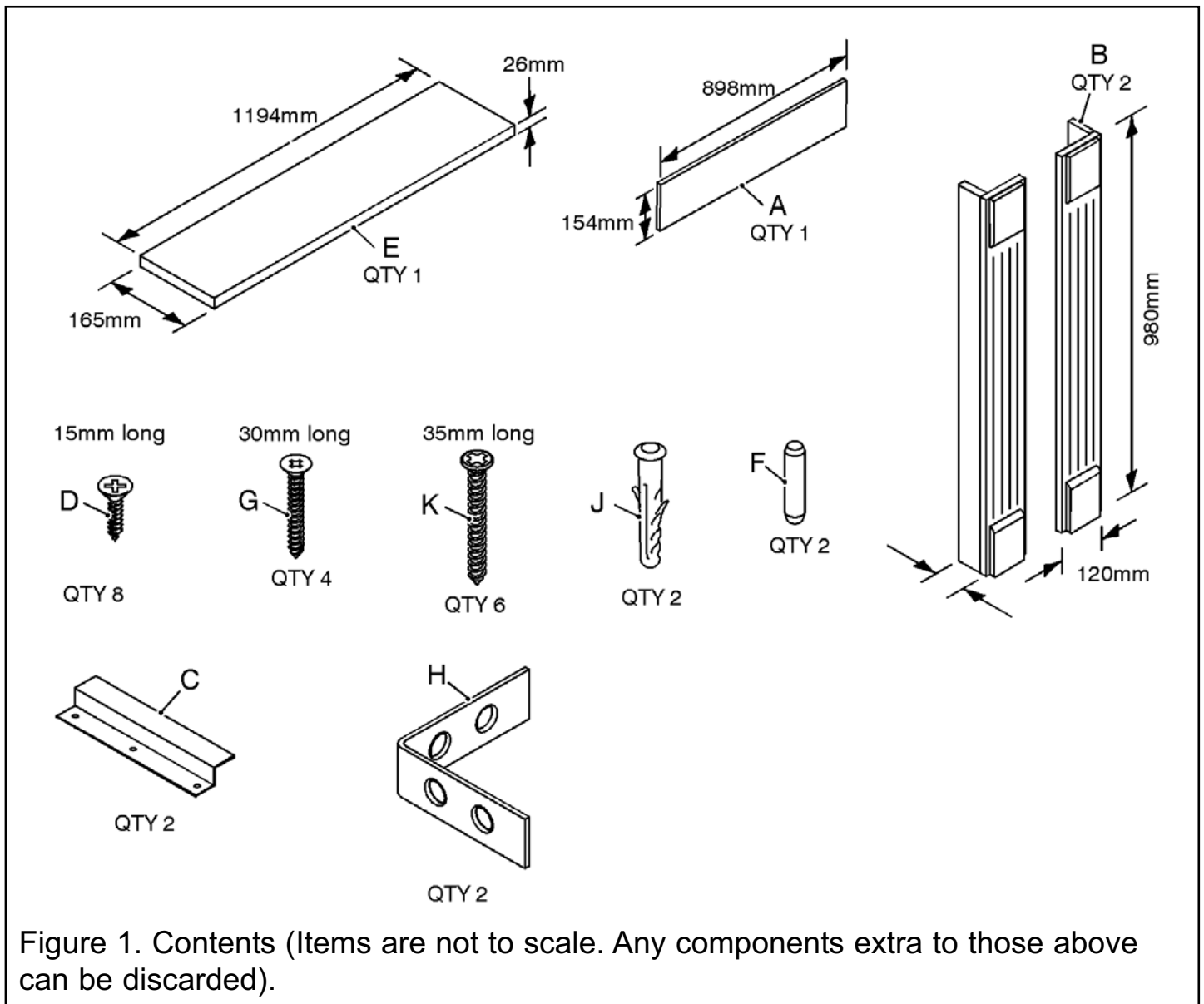
- The approximate lifting weight of the surround components is as below:

Legs	3.7 kg (Each).
Fascia board	1.84 kg.
Top	4.0 kg.

- One person should be sufficient to lift the surround. If for any reason this weight is considered too heavy then obtain assistance.
- When lifting always keep your back straight. Bend your legs and not your back.
- Avoid twisting at the waist. It is better to reposition your feet.
- Avoid upper body / top heavy bending. Always bend from the knees rather than the waist. Do not lean forward or sideways whilst handling.
- Always grip with the palm of the hand. Do not use the tips of fingers for support.
- Always keep the surround as close to the body as possible. This will minimise the cantilever action.
- Use gloves to provide additional grip.
- Always use assistance if required.

INSTALLATION GUIDE

CONTENTS



FITTING THE SURROUND

The installation of this surround requires a reasonable level of DIY skills. Please read this guide thoroughly before commencing installation and if in doubt, seek help from a competent person.

Do I need any tools?

You will need the following tools :

- A Pozidrive / Phillips / cross head screwdriver. This should have a number 2 size tip.
- If drilling into brick work you will need a power drill (preferably with hammer action) and appropriate size drill bit for the wall plugs supplied.

INSTALLATION GUIDE

Step 1. How to assemble the surround.

- Take the fascia (A) and locate it to legs (B) (See figure 2). The fascia board should be aligned with the inside edge of the inner leg strips. There are pilot holes in the legs. Secure the fascia board to the legs using four (G) screws.

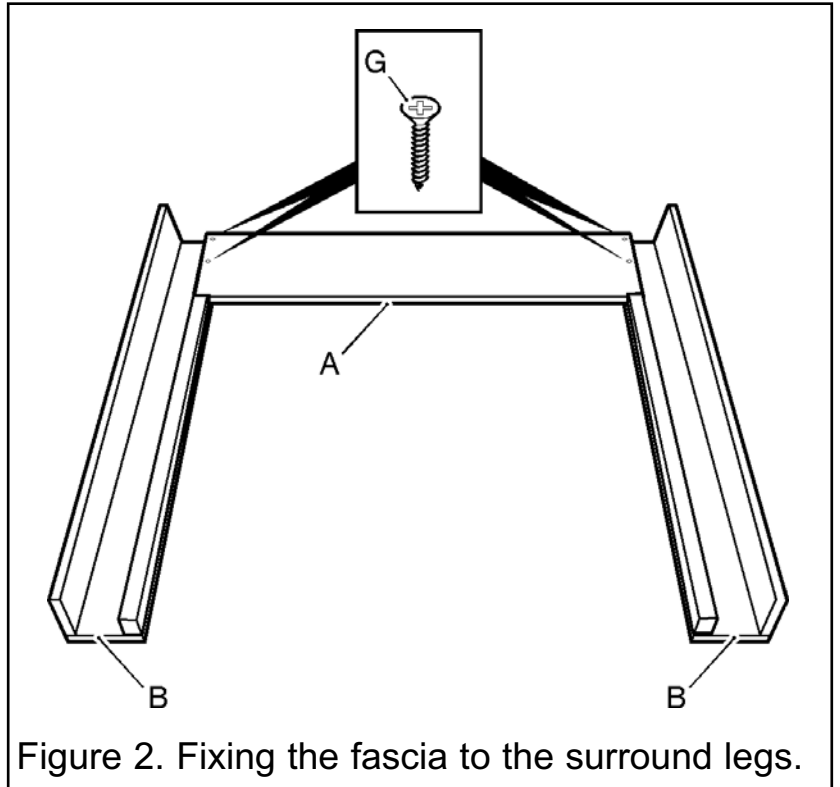


Figure 2. Fixing the fascia to the surround legs.

Step 2. How to fit the back panel brackets for installations with solo-pro back panel.

- Locate the two support brackets (C) as in figure 3. Each bracket should push up against the inner side of the leg and its base should be aligned to the base of the surround leg. Secure in place using six (D) screws.

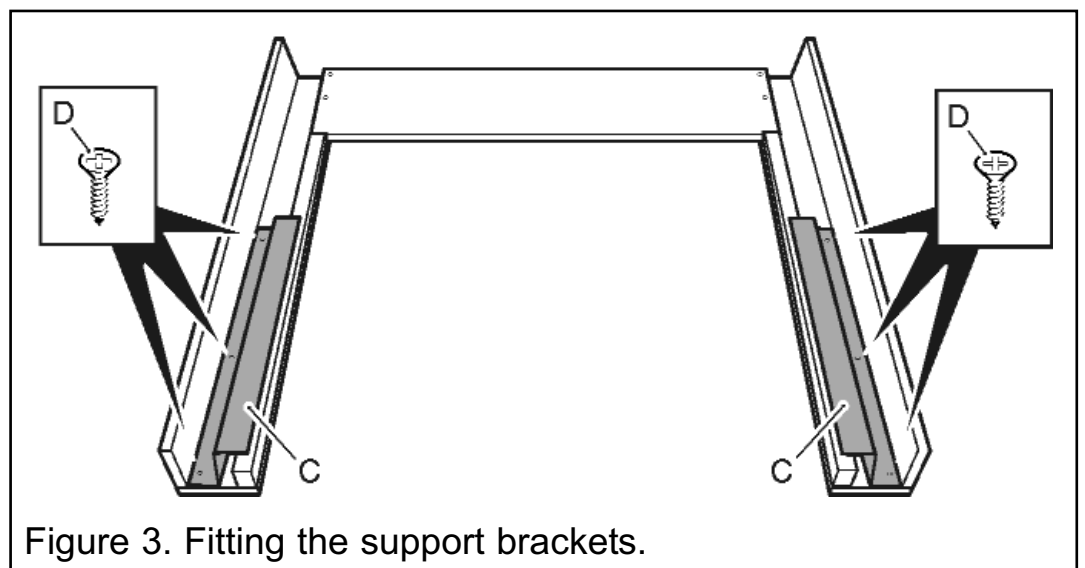


Figure 3. Fitting the support brackets.

INSTALLATION GUIDE

Step 3. The surround top.

- Take the surround top (E) and insert 2 wooden dowels (F) into the pre-drilled holes on the underside. Place the surround top (E) on top of the surround (See figure 4). Ensure that the dowels are located in the internal corners of legs (B) and that the veneered edge is facing forward. Screw into place using four screws (K) into the pre-drilled holes.

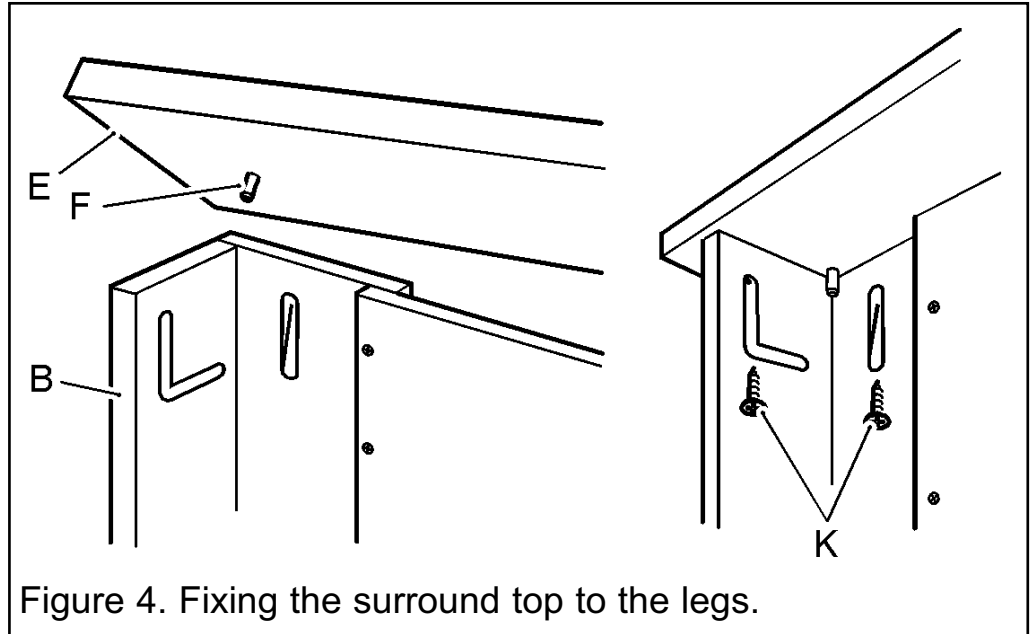


Figure 4. Fixing the surround top to the legs.

Step 4. Securing the surround assembly.

- Where applicable locate the hearth against the wall.
- Place the wall fixing brackets (H) 50mm from the top outside edge of the legs as shown in figure 5. Secure in place using two (D) screws (One in each bracket).

• Carefully move the surround assembly into place. Mark the positions of the bracket holes on the wall. Move the assembly aside and drill suitable sized holes. Insert the wall plugs (J).

• **For installations using the solo-pro back panel and hearth only** - Assemble the solo-pro back panel as in the guide supplied with it ensuring that the overall width will fit into the surround assembly.

Once assembled slide the back panel assembly between the rear of the surround legs and the support brackets.

- Position the assembly and secure using two screws (K).

Note: The wall plugs are only suitable for brick or block walls. For timber framed walls covered in plaster board we recommend the use of heavy duty cavity fixings.

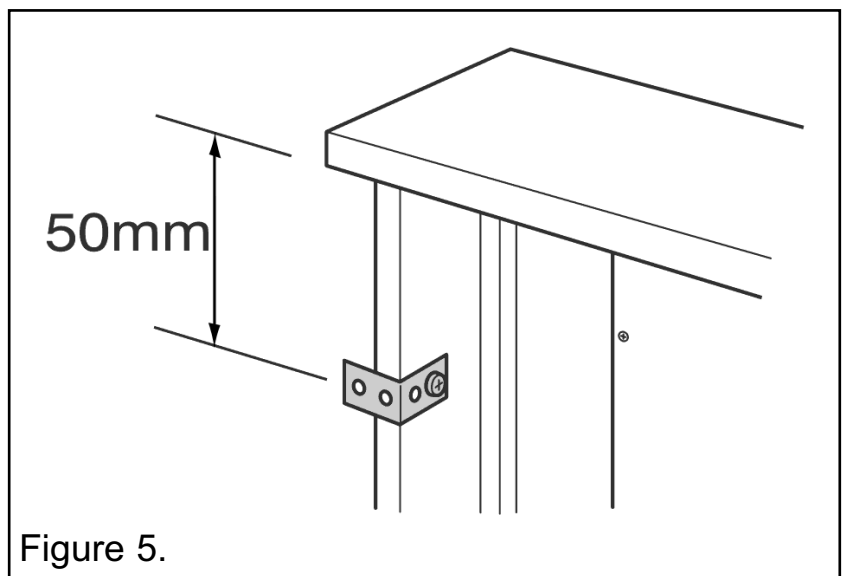


Figure 5.

INSTALLATION GUIDE

Step 5. Fitting the heater.

For full fitting instructions see the installer and owner guide supplied with the heater. Please note that where applicable we do not recommend screw fitting the heater to the Valor solo-pro back panel and hearth, but recommend the cable retention method instead.

Caring for your Surround.

- DO wipe any spills off immediately to limit possibility of staining.
- DO clean regularly with a soft damp cloth.
- DO NOT use abrasive cleaners.
- DO NOT allow prolonged exposure to water.

If you require further assistance, the Valor Fires Technical Helpline will be pleased
To help.

Please telephone 0844 8711 565 (local rates apply in the United Kingdom). In the
Republic of Ireland please telephone 0044 844 8711 565.

VALOR FIRES